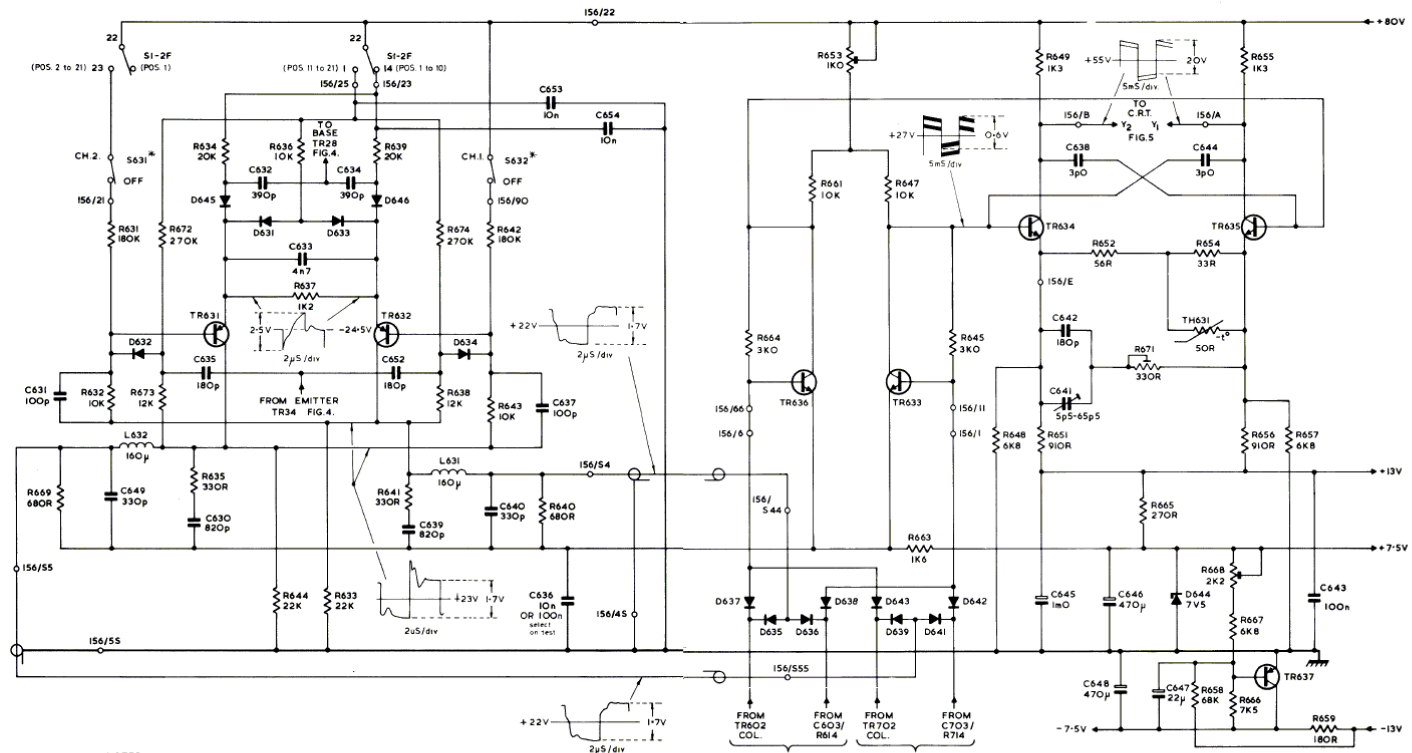


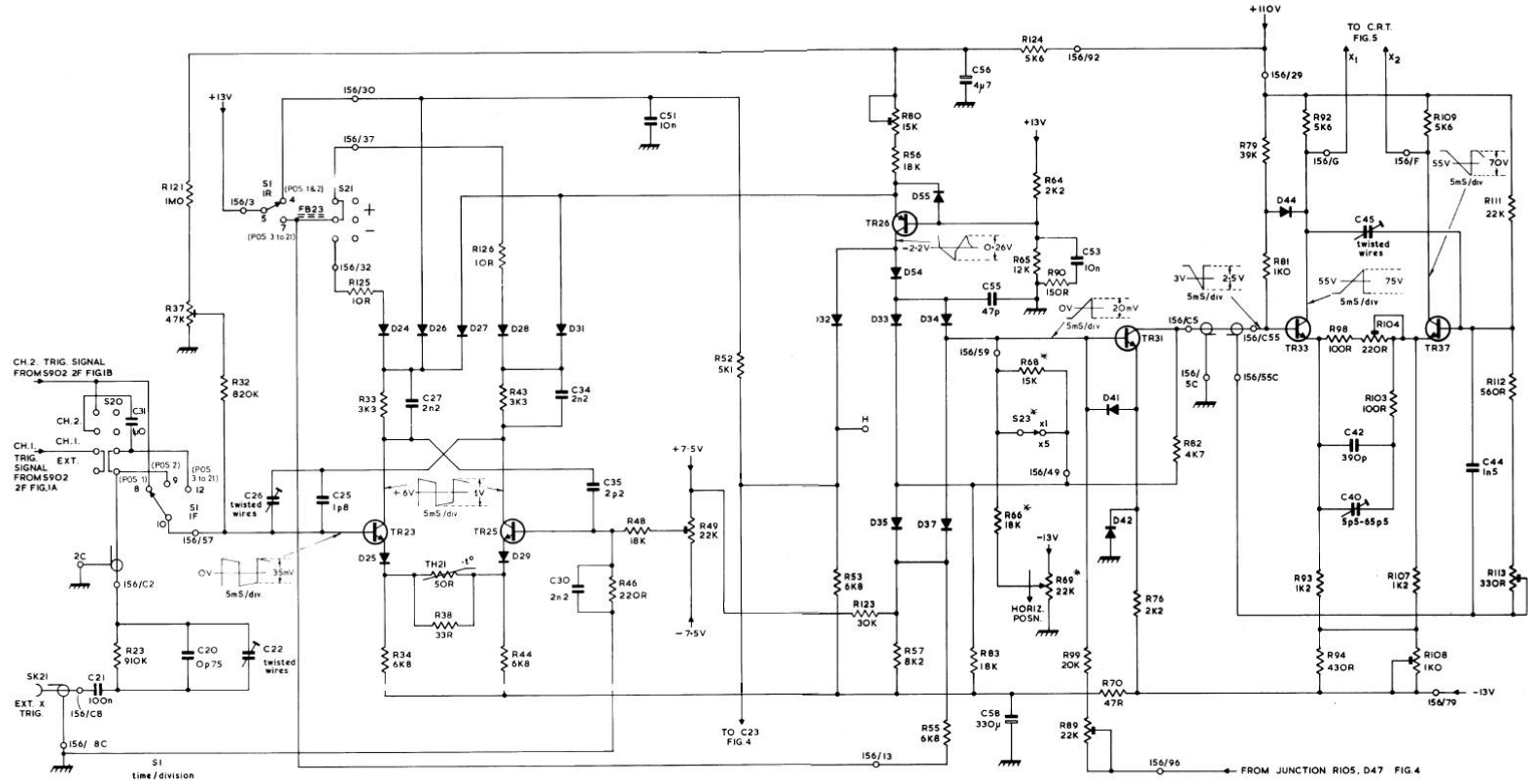
RESISTORS	669	631	672	634	644	633	639	641	642	640		664	651	653	647	645	649	652	671	654	655	657	659
		632	673	635		636		641	674	643							648	651	642	646	647	644	
CAPACITORS	631	649	630	635	632	633	634		640	637	654		645	638			641	648					
									652	639													
MISC.		L632	TR631				TR632	L631					TR636	TR633	D41		TR634				TH631	TR635	643
		SI-2F					SI-2F	D634				D635	D638	D43	D639	D642						TR637	
		S631	D632	D645	D631	D633	D646	S632				D637	D636								D644		



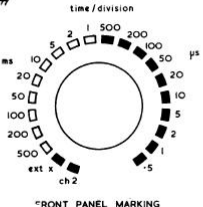
- NOTES:
 1. * DENOTES COMPONENTS NOT MOUNTED ON P.C. BOARD.
 2. IS6/55 DENOTES P.C. BOARD/EYELET OR TERMINAL No. CONNECTION.
 3. ALL WAVEFORMS MEASURED WITH CAL WAVEFORM FED TO BOTH CHANNELS.

'Y' AMPLIFIER - D61A
 FIG. 2.

RESISTORS	23	37	32	33	38	43	46	48	49	52	53	80	55	66	68	99	76	82	79	92	104	103	109	111
				34	44							56	83		64	89			81	93	105	107	112	113
CAPACITORS		20	22	26	25	27			34	51													42	
	21								30	35													40	44
MISC.																								
SK21	S20	SI-HF	SI-IR	FB23	TR23	TR24	TH21	TR25	D28	D29	D31	D32	TR26	D55	D34	D37	S23	D41	TR31			TR33	D44	TR37



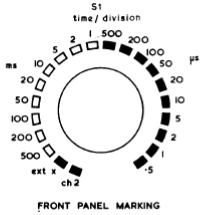
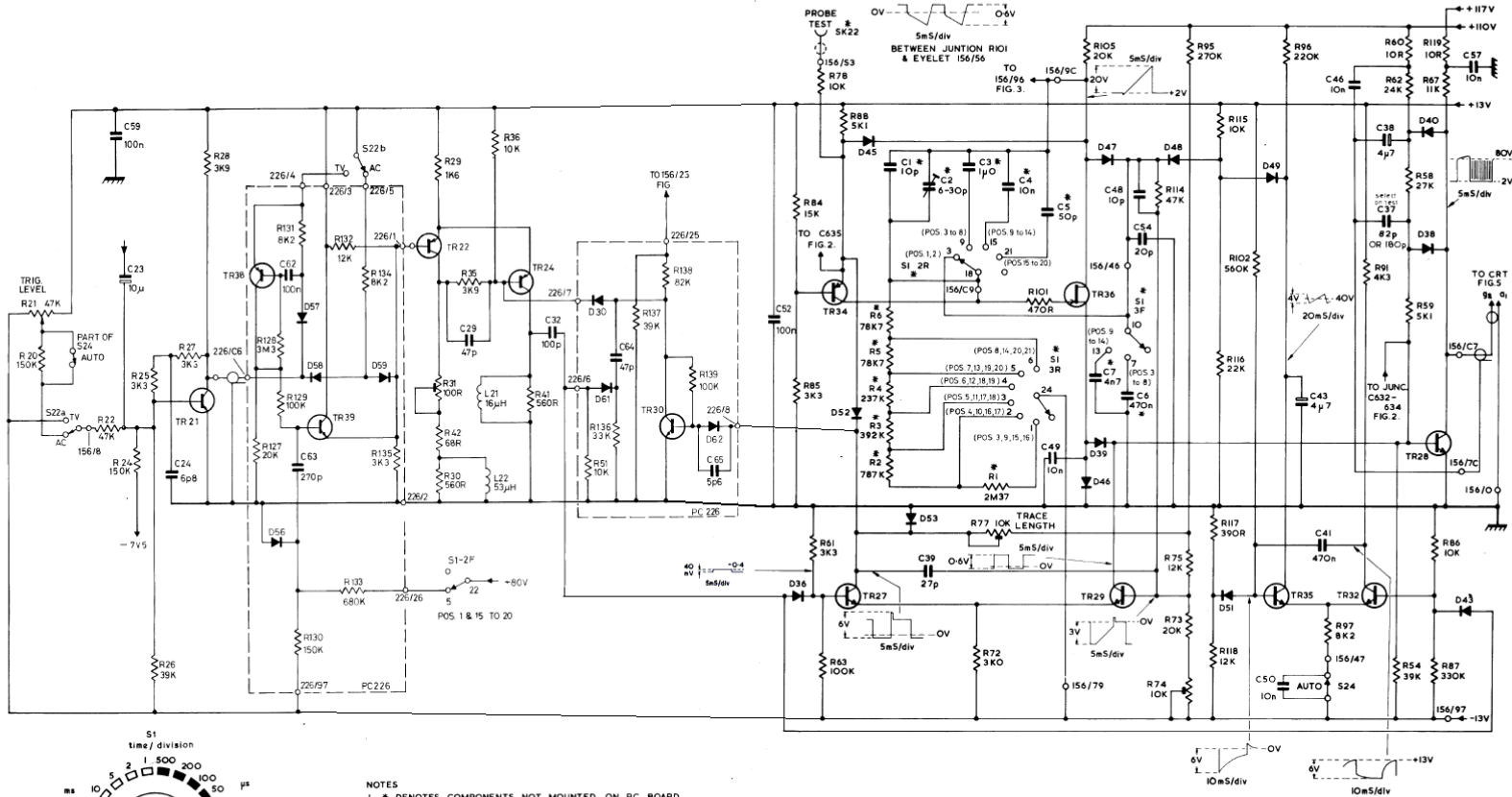
CH 2 TRIG SIGNAL FROM S902 2F FIG1B
 CH.1 TRIG SIGNAL FROM S902 2F FIG1A
 EXT. TRIG
 CH.1
 CH.2
 S20
 C31
 S21
 S1-IR
 S1-HF
 S1-IF
 S1
 C26 twisted wires
 C25 1p8
 C20 0p75
 C22 twisted wires
 C21 100n
 S1
 time/division
 1 500 200 100 50 20 10 5 2 1
 ms
 500 200 100 50 20 10 5 2 1
 ext x ch.2



- NOTES:
 1. * DENOTES COMPONENTS NOT MOUNTED ON P.C. BOARD.
 2. IS6/CB DENOTES P.C. BOARD/EYELET OR TERMINAL NO CONNECTION
 3. SWITCH SHOWN IN FULLY ANTI-CLOCKWISE POSITION.
 4. FOR S1 SWITCH WAFERS SEE FIG.4.
 5. ALL WAVEFORMS MEASURED WITH CAL WAVEFORM FED TO BOTH CHANNELS VOLTS/DIV. TO CH-1 TRIG SELECTOR TO CH1 AND TIME/DIV TO 2mS.

TRIG INPUT & HORIZONTAL AMP D61A
 FIG. 3.

RESISTORS	22	24	25	27	28	127	128	130	132	134	135	29	31	35	36	41	51	136	137	138	139	84	88	6	72	101	105	114	95	115	102	96	97	91	54	86	
	21	20	26			129	131					30	32	33	34		52					61	78	4	1	2	3	4	5	7	6	54	43	41	38	87	
CAPACITORS	59	24				62	63					29	32	64	65	52							1	2	3	4	5	7	6	54			43	41	38	87	
MISC.	S24																																				
	S22a																																				



- NOTES
- * DENOTES COMPONENTS NOT MOUNTED ON P.C. BOARD.
 - 156/AC DENOTES P.C. BOARD/EYELET OR TERMINAL No. CONN.
 - SWITCH SHOWN IN FULLY ANTI-CLOCKWISE POSITION.
 - FOR S1 SWITCH WAFERS SEE FIG. 6.
 - ALL WAVEFORMS MEASURED WITH CAL. WAVEFORM FED TO BOTH CHANNELS, VOLTS/DIV. SET TO 0-1, AND TRIG SELECTOR TO CH.1 AND TIME/DIV. TO 2mS.
 - PUSH-PULL SWITCH S24 IS SHOWN IN THE OUT POSITION.

SWEEP GENERATOR D61A
FIG. 4.

